

KANSAS FFA ASSOCIATION EDUCATIONAL EXHIBITS

Superintendents

Guy Shoulders - State FFA Advisor
Mary Kane - State FFA Executive Secretary
Jerry Schmidt – AG Mechanics
TBA– Agronomy Division
Johanna Andres- Horticulture Division
KSU AGED – Leadership/Communications Division



MKC is the proud sponsor of the FFA Department for the 2023 Kansas State Fair

All premium monies earned in the FFA Exhibits and Contest will be paid to the FFA Chapter and not the individual student. All FFA Chapters participating in the FFA Exhibits and Contest must provide a tax identification number in order for the premiums to be paid to the FFA Chapter. ALL Exhibits must be identified with Chapter Name. ALL Individual exhibits must be identified with member's name.

KSF GENERAL AND DEPARTMENTAL RULES

1. **DEADLINE DATES:** All FFA exhibitors are required to submit their entries online by the deadline date of **August 27, 2024.** Assistance for online entries is available during regular business hours only. (Monday – Friday, 8:00 a.m. to 5:00 p.m.) by calling the fair office at 620-669-3621.
2. **REQUIRED EXHIBITOR FEES:** MKC is covering all required entry fees.
3. **ENTRIES/LATE ENTRIES:** FFA Entries will be accepted beginning May 1, 2024. Entries will be accepted after August 27, 2024, in accordance with the following scheduled: **NO ENTRIES WILL BE ACCEPTED AFTER AUGUST 27, 2024.**
4. An individual member/exhibitor may enter one (1) item per class, unless noted differently.
5. Exhibitors have up to 15 minutes to arrange, display or touch-up their exhibit upon arrival, prior to check in. Exhibits cannot be prepared or assembled on-site, unless it is a “real time” contest, and it is stated in the rules. Department Managers have the right to disqualify an entry or exhibit if anyone, other than the exhibitor, has prepared it. **ALL WORK MUST BE THAT OF THE EXHIBITOR.**
6. Displayed exhibits may be limited – KSF reserves the right to only display what room allows. Any item not being displayed will have designated pick-up times. First place through third place is guaranteed to be shown. Every effort will be made to display ALL items entered in the fair.
7. Any item that does not meet Kansas State Fair requirements will not be accepted. If an item is accepted in oversight, it may later be disqualified and/or not judged or displayed.
8. During check-in, a Kansas State Fair staff member may question if you entered your item properly, but only if it is obvious that the item may not meet the class requirements. If an exhibitor is not sure if they entered their item(s) properly, they must ask a staff member for assistance **BEFORE** the item is checked in. This process can only be done during receiving hours and at the request of the exhibitor. If you question the class entered, and the Department Manager can justify the error, it may be moved to the proper class. Once an item has been checked-in, **IT CANNOT BE MOVED**, without the prior approval of the Competitive Exhibit Coordinator. Check-in finalizes your entry. Kansas State Fair does not allow any item substitutions.
9. Entries will not be judged in “Any Other Items” or “Not Specified” class, if there is already a class for that item available.
10. All exhibits must have been created, grown, or harvested by the exhibitor during the season of current year unless otherwise stated. All creative items must have been completed since the 2023 Kansas State Fair (Since September 20, 2023).
11. **If a “real-time” contest has fewer than two entered contestants, the contest may be changed to allow walk-up entries, with the approval of the KSF Competitive Exhibit Coordinator and sponsor (if the Division is sponsored).**
12. After arrangements of exhibits for prizes, no change will be allowed except on authority from KSF Competitive Exhibit Coordinator.

13. **Our primary audience consists of family and youth. We reserve the right to reject any entry that may be considered objectionable by that audience.**
14. A brief description of your item when entering on-line (as to color, size or pattern, brand) is appreciated.
14. For the protection of the exhibitor, claim stubs are encouraged at the time of release for items. If claim stub is lost, you must have a valid photo ID to claim the items.
16. Each article in a collection or plural exhibit must show the exhibitor's name and class of competition.
17. All exhibits will receive the best care and protection in their surroundings. The exhibits, at times, are subject to owner's risk and in no event will the Kansas State Fair, KSF staff, or volunteers be responsible for any damage that may occur. Delicately constructed items requiring more than normal careful handling should not be submitted. All exhibits will be displayed at the discretion of the KSF Staff.
18. The Kansas State Fair reserves the right to cancel any class or placing if the entries are insufficient to secure adequate competition or an award is not merited.
19. Participants will have no access to their products once they have been received by the Kansas State Fair staff.
20. The Kansas State Fair reserves the right to cancel, eliminate, or change the published premium amounts due to lack of sponsorship.
21. If, at the Judge's discretion, an entry does not merit a placing, the Judge shall give no award under any circumstances. The rule applies whether there is one or more exhibits in the class. If a tie occurs in any division or class, a judge will determine the winner.
22. When attending the Kansas State Fair, you enter an area where photography, audio, and video recording may occur. By entering the Fairgrounds, you consent to such recording media and its release to be used for news, telecasts, web casts, promotional purposes, advertising, social media, and websites. You further waive all rights you may have to any claims in connection with publication of these materials, regardless of the purpose or sponsoring of such publication.

SHIPPING:

SHIPPED ITEMS

Shipping charges on all exhibits must be prepaid. Packages should be addressed to: Kansas State Fair, ATTN: (*Fine Arts, Clothing, etc*) Department, 2000 N. Poplar, Hutchinson, KS 67502 and *must* arrive by September 4, 2024. A copy of your entry receipt should also be included in your package with your pre-registered items. Please make sure all items are labeled in a manner that can be removed before judging (a note attached by a rubber band, twist tie, masking tape, safety pin, etc.)

ITEMS TO BE RETURNED

Nonperishable item(s) will be shipped back at the exhibitor's request and expense after the fair and in its original packaging. **A Prepaid shipping label must be included with the original packaging, along with any special instructions.** Additional insurance must be included on the Prepaid Shipping Label. KSF will not add additional value to any shipment.

Note: A prepaid shipping label may be purchased on usps.com. Attach the label to an email and send to nancy.i.schmutz@ks.gov.

ARRIVAL AND JUDGING DATES FOR FFA EXHIBITS AND CONTESTS

Wednesday, September 4: Building will open for entries from 9:30 AM to 5:00 PM

Thursday, September 5: Building will open for entries from 9:30 AM to 5:00 PM

Friday, September 6: Building will open to receive entries at 8:30 AM. **All FFA Exhibits must be in place by 10:00 AM**

Items that are not displayed may be picked up on September 8 between 5 and 6 PM. No items will be released from September 6 through September 15.

Sunday, September 15: Release time for exhibits is 6:00 PM. For exhibitors that live more than 150 miles away, small items that can be hand-carried out can be picked up between 2:00 PM and 6:00 PM. No vehicles are permitted to load out until 6:00 PM. All exhibits are released at 6:00 PM to 8:00 PM on Sunday, Sept. 15 and from 9:00 AM to 1:00 PM on Monday, Sept. 16.

ALL ENTRIES IN THE FFA DIVISION FOR THE 2024 Kansas State Fair MUST BE ENTERED ONLINE BETWEEN MAY 1 AND AUGUST 27, 2024. www.kansasstatefair.com

DIVISION 900 – COUNTY COLLECTIVE BOOTH

1. Competition will be open to any FFA Chapter in the State of Kansas. More than one chapter may exhibit from the same county. Two chapters may partner for one exhibit provided they are in the same county.
2. Entries for the County Collective exhibits are limited (first come first serve basis) and will close when full or on August 27. Late entries may be accepted - if the number received by August 27 is not sufficient to fill all spaces. The entry will state the name of the Chapter making the exhibit and also the name of the person who will be in charge of the exhibit. Contact Guy Shoulders, State FFA Advisor, for late entries.
3. Exhibits are limited to one collective exhibit to each chapter.
4. Each exhibit must be prepared, entered and displayed by a resident of the county it represents.
5. Samples used in exhibits shall not be procured from the grounds of any county or state institution. Samples must be grown or produced in each respective county during the current year.
6. County collective agricultural exhibits are designed to be educational and to show the agricultural possibilities of the Chapter making the exhibit and to present the products of the entire county. Therefore, the samples comprising the exhibit shall have been gathered from at least ten different farms. No farm shall furnish or exceed 25 percent of the samples of the exhibit.
7. Photographs, diagrams, models, and figures may be used to illustrate the importance of livestock to the county.
8. All exhibits must be placed within the limits of the space provided. The booths will not be altered. The exhibitor is permitted to place sheets of plywood or wall board on the back wall of the exhibit space. The use of crepe paper is not permitted. The booths must be kept in condition satisfactory to the superintendent until the exhibits are officially released.
9. Each exhibit will be allotted space in the FFA Showcase Building (not to exceed 69 1/2" wide, 8' deep but may extend past the height of 7' 9 3/4" high) on a first-come, first-served basis (7 spots are available). The sheaf grain and grasses are to be displayed upon the wall in decorative form; the threshed grain, seeds, fruits, vegetables, etc. will be shown on the table.
10. Sheaf grain is to be bound in bundles not less than two and one-half inches (2 1/2") in diameter at the middle band. Threshed grain and seeds will be shown in quantities of one gallon each, unless otherwise noted. Each article must be labeled with name of the variety. Only one exhibit of a variety will be judged. No extra credit will be given for more exhibits than those required in the score card.
11. Premium Schedule (but must meet at least 750 points to qualify):

Champion County Collective Booth	Reserve Champion County Collective Booth	3 rd Place	4 th Place	5 th Place	6 th Place	7 th Place
\$800 & Award	\$750 & Award	\$700	\$600	\$400	\$300	\$200

Scorecard for County Collective Booths:

Exhibits Element and/or criteria	Points
General Appearance	200
Small Grain – Wheat, Oats, Barley, Sunflower or other crops (Maximum of 12 samples scored at 20 pts each)	
-Wheat: One-gallon samples: Credit for up to 3 varieties	
-Wheat: Two- and one-half-inch bundles: Credit for up to 3 varieties	240
-Oats: One-gallon samples: Credit for up to 3 varieties	
-Oats: Two- and one-half-inch bundles: Credit for up to 3 varieties	
-Barley: One-gallon samples: Credit for up to 3 varieties	
-Sunflower: One gallon of seed: Credit for up to 3 varieties	
-Sunflower: One head: Credit for up to 3 varieties	
In counties where oats are/or barley is not produced, a total of six (3 additional) varieties of wheat or other crops or products such as honey, cotton, etc., may be used for credit. For other crops or products see open classes for minimum exhibit; or check with superintendent for approval	
Corn and/or sorghum: Credit for 10 varieties: 20 pts each	
-Corn: 5 ears of each variety	
-Sorghum: 5 heads of each variety	200
Legumes: 2 kinds of varieties, 2 1/2" bundle and one gallon of seed of each variety: 60 pts. each	
Grasses: Cultivated and/or native, 5 specimens of each variety: 20 pts. each	
Potatoes: Irish potatoes: 2 varieties, 5 specimens for each exhibit: 20 pts. each	120
Fruits and Vegetables: Total 10 exhibits: 15 each	100
-Vegetables: 6-7 exhibits, 5 specimens for each exhibit	40
-Large Vegetables: one specimen per exhibit (e.g. watermelon)	150
-Fruits: 3-4 exhibits, 5 specimens for each exhibit, not more than one exhibit from a variety	
Photography, diagrams, models and figures used to illustrate the importance of livestock in the county	
TOTAL POINTS MAX	
	50
	1,100

FFA AGRONOMY EXHIBITS

ALL ENTRIES IN THE FFA DIVISION MUST BE ENTERED ONLINE BY AUGUST 25.

- Any exhibits placing below 5th and not displayed will be released at the completion of judging.
- **Entries are for individual FFA members only, No Chapter/Group Projects, and must be a product of their own Supervised Agricultural Experience program or a be a product of their own production/collection; not purchased, borrowed, leased or received through gift. All exhibits must be identified with individual's name, grade, chapter, and description of exhibit.**
Exhibits not meeting class criteria may be discounted or disqualified.
- Champion FFA Crop Exhibit (Divisions 901-905) – Rosette
- Reserve Champion FFA Crop Exhibit (Divisions 901-905) – Rosette
- Champion FFA Agronomic Drawing (Divisions 906-908) – Rosette
- Reserve Champion FFA Agronomic Drawing (Divisions 906-908) – Rosette
- Overall Grand Champion FFA Agronomy Exhibit (Division 901-908) – Award
- Overall Reserve Grand Champion FFA Agronomy Exhibit (Division 901-908) – Award

DIVISION 901 – FFA AGRONOMIC CROP DISPLAY

Premiums/Awards for this Division: 1st – 5th place - Ribbon; Champion – Ribbon; Reserve Champion – Ribbon

An FFA member may exhibit one entry in this division. Crops used in this display should be common agronomic crops grown in Kansas. Display can be corn ears (10 ears), grain sorghum (10 heads), sunflower heads (2 heads), cotton (20 open bolls) or threshed grain (approximately one peck). All exhibits should be in a sturdy container with see through access. It is suggested to use a display box that is like the blueprint provided at https://www.okffa.org/docs/Grain%20Box%20Blueprints_95148.pdf. The pattern is on the last page of this handbook. **The display box is part of the exhibit and will be a part of the judging process. Each display should be identified with the common name of the agronomic crop displayed. All exhibits must be identified with individual's name, grade and chapter.** Top 5-10 may be displayed. Only one exhibit allowed per individual. **Exhibits not meeting class criteria may be discounted or disqualified.**

CLASSES

1. Agronomy Crop Display Grades 8-9-10
2. Agronomy Crop Display Grades 11-12

DIVISION 902 - FFA TAME AND LEGUME FORAGE GRASS EXHIBIT (One Bundle)

Premiums/Awards for this Division: 1st – 5th place - Ribbon; Champion – Ribbon; Reserve Champion – Ribbon

Bundle must be not less than 3 inches but no more than 5 inches at center band when cut near the ground. Should be cured (dry) before forming bundle. Will be judged on feeding value (green color, leafiness, fineness of stem, and best stage of maturity for each kind) and preparation of bundle, including neatness, cleanliness, uniformity and overall appearance. Undersized bundles, and wet or moldy bundles, will be disqualified. If Superintendent or judge deems that any bundle is old, from previous years, or is masked (New leaves over old) the Supt. has the right to disqualify the bundle. **All exhibits must be identified with individual's name, grade, chapter, and description.** Only one exhibit allowed per class per individual. **Exhibits not meeting class criteria may be discounted or disqualified.**

CLASSES

1. Short Fine-stemmed Tame Forage Grass Bundle (Bermuda grass, Crabgrass, Kentucky Bluegrass etc.)
2. Fine-stemmed Forage Legume Bundle (Alfalfa, Sweet clover, Lespedeza, Vetch)
3. Tall Fine-stemmed Tame Forage Grass Bundle (Old World Bluestem, Weeping Lovegrass, Tall Fescue, Ryegrass, German Millet, etc.)
4. Coarse-stemmed Tame Forage Grass Bundle (Forage Sorghum, Sudangrass, or Sudangrass, X Sorghum Hybrids or Pearl Millets)

DIVISION 903 - FFA NATIVE GRASS EXHIBIT

(One Bundle)

Premiums/Awards for this Division: 1st – 5th place - Ribbon; Champion – Ribbon; Reserve Champion – Ribbon

Should be headed but not ripe enough to shatter and shown full length (cut near the ground). Bundle should be not less than 3 inches or more than 5 inches at center band. Should be cured (dried) before forming bundle. Each bundle will be considered on basis of early stage of maturity, leafiness, and green color; and on preparation and appearance of bundle. Undersized and oversized bundles and wet or moldy bundles will be disqualified. If Superintendent or judge deems that any bundle is old, from previous years, or is masked (New leaves over old) the Supt. has the right to disqualify the bundle. **All exhibits must be identified with individual's name, grade and chapter, and description.** Only one exhibit allowed per class per individual. **Exhibits not meeting class criteria may be discounted or disqualified.**

MEDIUM OR SHORT NATIVE GRASS BUNDLE

CLASSES

1. Little Bluestem
2. Sand Lovegrass
3. Sideoats Grama
4. Blue Grama or Hairy Grama
5. Any other Short or Medium Native Grass

TALL NATIVE GRASS BUNDLE

6. Big Bluestem or Sand Bluestem
7. Indiangrass
8. Switchgrass
9. Purple Top
10. Any other Tall Native Grass

DIVISION 904 – FFA PASTURE AND RANGE PLANT DISPLAY EXHIBIT

Premiums/Awards for this Division: 1st – 5th place - Ribbon; Champion – Ribbon; Reserve Champion – Ribbon

These displays consist of ten representative plants mounted on LIGHTWEIGHT boards, measuring 3 feet square, strong enough to stand upright. Any other size will result in disqualification. The plants should be cut to prevent any part of the plant from extending beyond the edge of the board. Grasses and other fine-stemmed plants may be shown as bundles not to exceed one inch in diameter, and single plants that are heavy-stemmed or bushy may be used. Plants should be headed and in bloom or seed stage but not ripe enough to shatter. Label with common name. **All exhibits must be identified with individual's name, grade, chapter, and description.** Displays will be judged on choice of species; quality of samples (green, color, leafiness, dryness and stage maturity); neatness and arrangement of samples in general appearance of display; and correctness and readability of labels. Entries which are found to be misidentified or identical as a result of group preparation will be disqualified. The top five (5) in each class may be displayed. Only one Tame and one Native Display allowed per individual. **Exhibits not meeting class criteria may be discounted or disqualified.**

CLASSES

1. Tame Pasture Grass and Legume Plant Display (Grades 8-9-10) — Consists of Ten Introduced Pasture Grasses and Legumes Commonly Planted for Grazing Purposes
2. Tame Pasture Grass and Legume Plant Display (Grades 11-12) — Consists of Ten Introduced Pasture Grasses and Legumes Commonly Planted for Grazing Purposes
3. Native Range Plants (Grades 8-9-10) — Consists of Ten Native Plants (Grasses, Legumes and Forbs) Representative of Native Prairie Mixtures
4. Native Range Plants (Grades 11-12) — Consists of Ten Native Plants (Grasses, Legumes and Forbs) Representative of Native Prairie Mixtures

DIVISION 905 - FFA HAY SHOW

Premiums/Awards for this Division: 1st – 5th place - Ribbon; Champion – Ribbon; Reserve Champion – Ribbon

1. Limited to 5 entries per school per class and only one entry per student per class One small square bale will constitute an entry. **All exhibits must be identified with individual's name, grade, chapter, and description.**
2. Classes of hay will include legume and non-legume.
3. Bales may be displayed outside for the duration of Fair or sprayed with fire retardant.
4. Factors considered by the judge will include maturity, texture, leafiness, freedom from foreign material, color, size and shape of bales, odor and freedom from mold.

CLASSES

1. Hay Show Grade 8-9-10
2. Hay Show Grade 11-12

DIVISION 906- FFA AGRONOMIC PLANT LIFE CYCLE DRAWING

Premiums/Awards for this Division: 1st – 5th place - Ribbon; Champion – Ribbon; Reserve Champion – Ribbon

This drawing should show all different stages of growth of the SOYBEAN plant (seed, seedling, vegetative, flowering and mature). Drawing to be done by hand and not printed. Additional stages of growth may be displayed if it adds to the exhibit. Each stage of

growth should be indicated. Colors should be as near as possible to natural colors. Special characteristics for identification should also be labeled. **Drawing must include the title "Life Cycle of the Soybean Plant." Use a half sheet of white poster board (finished size approx. 22" x 14"), or half sheet of white foam or mat board (finished size approx. 20" x 15") to be displayed for landscape view. All exhibits must be identified with individual's name, grade, chapter, and description.** Only one exhibit allowed per individual. **Exhibits not meeting class criteria may be discounted or disqualified.**

CLASSES

1. Plant Life Cycle Grades 8-9-10
2. Plant Life Cycle Grades 11-12

DIVISION 907 - FFA SOIL SCIENCE DISPLAY POSTER

Premiums/Awards for this Division: 1st – 5th place - Ribbon; Champion – Ribbon; Reserve Champion – Ribbon

For 2024, this drawing should show the different textures of soil and how varying percentages make up soil type. Colors should be as near as possible to natural colors. Special characteristics and definitions for identification should also be labeled. Drawing must include the title "Soil Texture". Use a half sheet of white poster board (finished size approx. 22" x 14") or half sheet of white foam or mat board (finished size approx. 20" x 15") to be displayed for landscape view. All exhibits must be identified with individual's name, grade, chapter and description. Only one exhibit allowed per individual. The top 3-5 drawings will be displayed. Exhibits not meeting class criteria may be discounted or disqualified.

CLASS

1. Soil Science Display Grades 8-9-10
2. Soil Science Display Grades 11-12

DIVISION 908– FFA “Agronomic History” DISPLAY POSTER

Historical Events that Shaped Crop Production

Premiums/Awards for this Division: 1st – 5th place - Ribbon; Champion – Ribbon; Reserve Champion – Ribbon

The purpose of the contest is for FFA members to research and build a display to educate the public about historical events that have affected crop production in Kansas and the U.S. The topic for 2024 is "The history and significance of water in shaping Kansas agriculture." FFA members must research agricultural water usage and write about how the use of water has changed and the impacts those changes have made on Kansas agriculture over time. The story must be in manuscript form with not more than two double-spaced typewritten pages. In addition, one, and not more than one, 4" x 6" or 5" x 7" color or black and white photograph must accompany the story depicting the event. Each page of the story and the photograph must be mounted on one full sheet (22" x 28") black poster or foam/mat board (22' x 30"). Posters are to be displayed horizontally. **All exhibits must be identified with individual's name, grade, chapter, and description.** Only one exhibit allowed per individual. **Exhibits not meeting class criteria may be discounted or disqualified.**

CLASSES

1. Agronomic History Grades 8-9-10
2. Agronomic History Grades 11-12

FFA AGRONOMY SWEEPSTAKES (921)

FFA Chapter Crops Sweepstakes take the highest number of points accumulated in divisions 901-908.

Placing:	<u>1st</u>	<u>2nd</u>	<u>3rd</u>	<u>4th</u>	<u>5th</u>	<u>6th</u>	<u>7th</u>	<u>8th</u>	<u>9th</u>	<u>10th</u>
Points:	10	9	8	7	6	5	4	3	2	1
Placing	Points									
Champion	3									
Res. Champion	2									
Grand Champion	6									
Res. Grand Champion	4									

With upper limit on total number of exhibits in class: Example: Four entries in class, points awarded 4-3-2-1. Ten or more entries in class points awarded 10-9-8-7-6-5-4-3-2-1-0.

- | | |
|--|---------------|
| 1. Grand Champion FFA Chapter Crops Sweepstakes | Award & \$150 |
| 2. Reserve Champion FFA Chapter Crops Sweepstakes | Award & \$100 |
| 3. 3 rd Overall FFA Chapter Crops Sweepstakes | \$50 |

FFA HORTICULTURE (924)

Department Manager: Johanna Andres

GRAND CHAMPION FFA HORTICULTURAL EXHIBIT
RESERVE GRAND CHAMPION FFA HORTICULTURAL EXHIBIT

Award
Award

ALL ENTRIES IN THE FFA DIVISION MUST BE ENTERED ONLINE BY AUGUST 25. www.kansasstatefair.com

These exhibits must be Supervised Agricultural Experience program projects of the FFA members who exhibit in this department. All fruits and vegetables exhibited must be grown by and cared by the exhibitor and not purchased, borrowed, leased or received through a gift. Only one exhibit allowed in each class per individual. There are no chapter exhibits in this division, only individual exhibits. All entries must be pre-entered on Showworks by August 25, 2023. **All exhibits must be identified with individual's name, grade and chapter.** Any exhibit not properly identified or entered in the wrong class will be automatically disqualified. All exhibits must not have been exhibited previously at the Kansas State Fair. The Department Manager reserves the right to not display any exhibits. All measurements and sizes specified are approximate according to industry standards. Exhibits which are showing signs of stress or damage may be removed with approval of the Department Manager. Exhibitors provide their own containers for exhibits. Exhibits of over-ripe and poor quality will be discarded and will not be judged. **All edible horticulture exhibits may be donated to an area food bank or other charitable group and may not be displayed based on the decision of the Department Manager.** Ribbons will be awarded to the top five (5) exhibits in each class.

DIVISION 909 - VEGETABLE AND FRUIT EXHIBITS

Awards for this Division: 1st – 5th place - Ribbon; Champion – Ribbon; Reserve Champion – Ribbon

Most items are to be displayed for judging on either disposable plates or bowls – provided by exhibitor. All edible horticulture exhibits will be donated to an area food bank or other charitable group if possible and may not be displayed based on the decision of the superintendent. Exhibits of over-ripe and poor quality will discarded not be judged.

CLASSES

1. Potatoes, White or Red, 4 specimens (displayed for judging on disposable plates– Exhibitor provided)
2. Okra, 6 specimens (displayed for judging on disposable plates– Exhibitor provided)
3. Onions, Yellow, White or Red, 4 specimens (displayed for judging on disposable plates– Exhibitor provided)
4. Eggplant, 2 specimens (displayed for judging on disposable plates– Exhibitor provided)
5. Pepper (Hot Peppers), 6 specimens (displayed for judging on disposable plates– Exhibitor provided)
6. Pepper (Sweet Peppers), 6 specimens (displayed for judging on disposable plates– Exhibitor provided)
7. Tomatoes (Large type), 4 specimens (displayed for judging on disposable plates– Exhibitor provided)
8. Tomatoes (Cherry type), 6 specimens (displayed for judging on disposable bowls– Exhibitor provided)
9. Pumpkin, 1 specimen
10. Cucumbers, Slicing or Pickling, 2 specimens (displayed for judging on disposable plates– Exhibitor provided)
11. Squash, any variety, 2 (displayed for judging on disposable plates– Exhibitor provided)
12. Watermelon, 1 specimen
13. Any Melon Other Than Watermelon, 1
14. Gourd, Ornamental, 1
15. Ornamental Peppers, 6 specimens (displayed for judging on disposable plates– Exhibitor provided)
16. Sweet Corn, Ornamental, 4 ears (displayed for judging on disposable plates– Exhibitor provided)
17. Pecans (native or improved), 18 specimens (in shell) exhibited in clear quart-size plastic bags only
18. Apples, (Red, Yellow or Green) 4 (displayed for judging on disposable plates– Exhibitor provided)
19. Pears, 4 (displayed for judging on disposable plates– Exhibitor provided)

**DIVISION 910 - FFA HORTICULTURE EDUCATIONAL
EXHIBITS
FFA PLANT LIFE CYCLE DISPLAY EXHIBIT**

Awards for this Division: 1st – 5th place - Ribbon; Champion – Ribbon; Reserve Champion – Ribbon

This drawing should show all different stages of growth of a **Geranium** (seed OR cutting), seedling, vegetative, flowering and mature). Additional stages of growth may be displayed if it adds to the exhibit. Each stage of growth should be indicated. Colors should be as near as possible to natural colors. Special characteristics for identification should also be labeled. **Drawing must include the title "Life Cycle of the Geranium."** Use a half sheet of **WHITE** poster board (finished size approx. 22" x 14") or half sheet of **WHITE** foam or matboard (finished size approx. 20" x15") to be displayed for landscape view. The student's name, chapter name and grade **MUST** be included on the backside of the poster. Only one exhibit allowed in each class per individual. The top 3-5 drawings will be displayed. Grade level should be on the entry tag. **Exhibits not meeting class criteria may be discounted or disqualified.**

CLASS

1. Plant Life Cycle Display Grade 8-9-10
2. Plant Life Cycle Display Grades 11-12

DIVISION 911 - ASEXUAL PLANT PROPAGATION DRAWING

Awards for this Division: 1st – 5th place - Ribbon; Champion – Ribbon; Reserve Champion – Ribbon. This drawing should show all different stages of asexually propagating a plant (parent plant, propagation type, plant section, additional root growth, to full growth. For 2024, the plant will be *Dracaena*. Each stage should be indicated. Colors should be as near as possible to natural colors. Special characteristics for identification should also be labeled. Drawing must include the title "Asexual Propagation of a *Dracaena*". Use a half sheet of white poster board (finished size approx. 22" x 14", or half sheet of white foam or mat board (finished size approx. 20" x 15" to be displayed for landscape view. The students name, chapter name and grade **MUST** be included on the backside of the poster. The top 3-5 drawings will be displayed. Only one exhibit allowed in each class per individual. Exhibits not meeting class criteria may be discounted or disqualified.

CLASS

- 1 Grade 8-9-10
- 2 Grade 11-12

DIVISION 912 - HOME LANDSCAPE DRAWING

Awards for this Division: 1st – 5th place - Ribbon; Champion – Ribbon; Reserve Champion – Ribbon

Download template from www.ksffa.org and print on a sheet of legal sized (8 ½ " x 14") white paper. **Landscape drawings must be full color and drawn horizontally.** Finished drawing must be mounted on a half sheet of **BLACK** poster board (approximate finished size approx. 22" x 14") or a half sheet of **BLACK** foam or matboard (approximate finished size approx. 20" x15") to be displayed for landscape view. At the top, label the display "Home Landscape Drawing." On the right side of the foam board include a 2" x no more than 11" key/legend that must contain the following information: Scale, symbols of plants, numbers representing trees, shrubs, and plants (including the number of each used in the landscape). At the bottom of the key/legend include Name, Chapter and Date. A narrative that further describes the drawing may be included on the back, but is limited to 1 page, typed double spaced in 12-point font. Grade level should be on the entry tag. The top 3-5 drawings will be displayed. Only one exhibit allowed in each class per individual. **Exhibits not meeting class criteria may be discounted or disqualified.**

CLASS

- 1 Grades 8-9-10
2. Grade 11-12

DIVISION 913 - MINIATURE GREENHOUSES

Awards for this Division: 1st – 5th place - Ribbon; Champion – Ribbon; Reserve Champion – Ribbon

Size approx. 14" x 21", mounted on white painted plywood 16" x 24". Each exhibit must be accompanied by a graphic design plan showing climate control system, irrigation system, placement of benches and tables, etc. Plan should be on 8 1/2" x 11" paper enclosed in a plastic cover. No mechanical or electrical moving parts will be allowed. **The student's name, chapter name and grade MUST be visible.** The top 3-5 entries may be displayed. Only one exhibit allowed in each class per individual. **Exhibits not meeting class criteria may be discounted or disqualified.**

CLASS

1. Grades 8-9
2. Grade 10
3. Grade 11
4. Grade 12

FLORAL OR PLANT DESIGN

DIVISION 914 - TERRARIUMS, DISH GARDEN OR CREATIVE PLANT DISPLAY

Awards for this Division: 1st – 5th place - Ribbon; Champion – Ribbon; Reserve Champion – Ribbon

Small Enclosed Terrariums should be approximately one (1) gallon in size. Large Terrariums should be approximately three to five gallons in size. **No succulents or cacti should be in enclosed terrariums!** Grade level should be on the entry tag.

CLASS

1. Small Enclosed Terrariums
2. Large Enclosed Terrariums
3. Small Open Terrariums
4. Large Open Terrariums
5. Dish Garden or Creative Plant Display Grades 8-9-10 (3 specimens or more)
6. Dish Garden or Creative Plant Display Grade 11-12 (3 specimens or more)

DIVISION 915 - PAINTED/DECORATED PUMPKINS

Awards for this Division: 1st – 5th place - Ribbon; Champion – Ribbon; Reserve Champion – Ribbon

ONE (1) and only one decorated (not carved) pumpkin. In the event of pumpkin scarcity, watermelon may be used. No gourds. No other pumpkins or gourds can be attached. Pumpkin cannot have attachments that break the skin. No artificial pumpkins. Grade level should be on the entry tag. The top 3-5 drawings will be displayed. Only one exhibit allowed in each class per individual. **Exhibits not meeting class criteria may be discounted or disqualified.**

- | | |
|-------------------------------------|-------------------|
| 1. Grade 8-9 (decorated not carved) | 1st – 5th Ribbons |
| 2. Grade 10 (decorated not carved) | 1st – 5th Ribbons |
| 3. Grade 11 (decorated not carved) | 1st – 5th Ribbons |
| 4. Grade 12 (decorated not carved) | 1st – 5th Ribbons |

DIVISION 916 - FLORAL DESIGN

Awards for this Division: 1st – 5th place - Ribbon; Champion – Ribbon; Reserve Champion – Ribbon

All materials used in exhibits must contain dried or artificial materials only. Any arrangement with any artificial material will be classified artificial. Grade level should be on the entry tag.

FLORAL ARRANGEMENT (DRIED, NATURAL) –

ALL material must be dried or natural products. Up to approximately 24" in size)

1. Dried/Natural (Grades 8-10)
2. Dried/Natural (Grades 11-12)

FLORAL ARRANGEMENT (ARTIFICIAL) - Up to approximately 24" in size)

3. Artificial Arrangement (Grades 8-9-10)
4. Artificial Arrangement (Grades 11-12)

FLORAL ARRANGEMENT (SEASONAL OR OCCASIONAL - Up to approximately 24" in size)

5. Seasonal or occasional Arrangement (Grades 8-9-10)
6. Seasonal or occasional Arrangement (Grades 11-12)

FLORAL ARRANGEMENT (NOVELTY) –

Up to approximately 24" in size Accessory in the arrangement must tie to the container to be considered novelty

7. Novelty Arrangement (Grades 8-9-10)
8. Novelty Arrangement (Grades 11-12)

FLORAL ARRANGEMENT (WEDDING)

9. Wedding Bouquet
10. Wedding Arrangement (table size only)

FLORAL ARRANGEMENT (CORSAGE)

11. Wristlet
12. Shoulder (Grades 8-9-10)
13. Shoulder (Grades 11-12)
14. FFA Week
15. Homecoming (artificial) (Grades 8-9-10)
16. Homecoming (artificial) (Grades 11-12)

FLORAL ARRANGEMENT (BOUTONNIERE)

17. Artificial Boutonniere (Grades 8-9-10)
18. Artificial Boutonniere (Grades 11-12)

FLORAL ARRANGEMENT (WREATHS -DRIED, NATURAL - Up to approximately 24" in size)

19. Dried Natural Wreath (**ALL** material must be dried or natural products)

FLORAL ARRANGEMENT (WREATHS- ARTIFICIAL - Up to approximately 24" in size)

20. Artificial Wreath (Grades 8-9-10)
21. Artificial Wreath (Grades 11-12)

FLORAL ARRANGEMENT (WREATHS - SEASONAL - Up to approximately 24" in size)

22. Seasonal or occasional Wreath (Grades 8-9-10)
23. Seasonal or occasional Wreath (Grades 11-12)

FLORAL ARRANGEMENT (WALL OR DOOR SWAGS)

24. Dried/Natural Wall or Door Swag
25. Artificial Wall or Door Swag

FFA CHAPTER HORTICULTURE SWEEPSTAKES (922)

FFA Chapter Horticulture Sweepstakes take the highest number of points accumulated in divisions 909-916.

Placing: 1st 2nd 3rd 4th 5th 6th 7th 8th 9th 10th

Points: 10 9 8 7 6 5 4 3 2 1

Placing	Points
Champion	3
Reserve Champion	2
Grand Champion	6
Reserve Grand Champion	4

With upper limit on total number of exhibits in that class: Example: Four (4) entries in class points awarded 4-3-2-1. Example: Ten or more entries in class points awarded 10-9-8-7-6-5-4-3-2-1.

- | | |
|--|--------------------------|
| 1. Grand Champion Chapter Horticultural Sweepstakes | Award & \$150 |
| 2. Reserve Grand Champion Chapter Horticultural Sweepstakes | Award & \$100 |
| 3. 3rd Overall Chapter Horticultural Sweepstakes | Award & \$75 |

DIVISION 917 - FFA CHAPTER AGRICULTURAL MECHANICS EXHIBIT

Department Manager: Jerry Schmidt

Premiums/Awards:

Grand Champion Agricultural Mechanics Exhibit	Award
Reserve Grand Champion Agricultural Mechanics Exhibit	Award
Third Overall Agricultural Mechanics Exhibit	Award
Fourth Overall Agricultural Mechanics Exhibit	Award
Fifth Overall Agricultural Mechanics Exhibit	Award

ALL ENTRIES IN THE FFA DIVISION MUST BE ENTERED ONLINE BY AUGUST 25.

1. Must have been constructed by FFA members enrolled in Agricultural Education. Entries may be individually, or chapter constructed. Designation as an individual project or chapter project must be made at time of entry.
2. An article can be shown only once at the Kansas State Fair and must have been constructed during the previous two school years.
3. All articles must be clean and in a presentable condition even though they may have been used during the year.
4. Pictures showing operation of the project may be displayed with the exhibit.
5. Each exhibit shall have a sign showing chapter, ownership, a detailed bill of materials with cost, and a suggested retail price.
6. Entries will be judged on the basis of workmanship, structure and design, practicability, safety, and materials used.
7. Exhibits in Classes 3-5 must be factory manufactured equipment that has been reconditioned/repared/restored. It is recommended that 1 to 3 photographs of the project before start of restoration is included with the material list.)
8. Exhibits in Class 16, 17 and 18 "Small Projects," should be less than 2 ft. in length or less than 20 lbs. in weight.
9. Where an exhibit is entered in the wrong class the Superintendent will make the determination and transfer it to the proper class.
10. The judge will not award premiums or points for entries in any class that do not meet acceptable standards of quality.
11. All exhibits to be displayed in a safe manner.

AGRICULTURAL MECHANICS EXHIBIT SCORECARD

Workmanship		
a.	General appearance (neatness and finish)	15 pts.
b.	Skills (careful workmanship and number of skills)	30 pts.
Structure and Design		
a.	Strength and durability	20 pts.
b.	Originality (mainly for addition of accessories to a standard design or original design, if practical)	5 pts.
Practicability		
a.	Labor saving on the farm or aesthetically pleasing	15 pts.
b.	Convenience and usefulness	10 pts.
Material		
a.	Economic choice of material	5 pts.

FFA AGRICULTURAL MECHANICS Classes

1. Trailers & Wagons 16 ft. and over
2. Trailers & Wagons Under 16 ft (16 ft. is the cargo area)
3. Tractor Repair/Restoration
4. Lawn/Garden Tractor repair/restoration
5. Reconditioned Machinery and Equipment
6. Livestock Production Products (squeeze chute, divider, panels, clipping chutes, lamb & goat stands)
7. Farmstead & Crop Improvement (gates, angel or box blade, mailboxes, hydraulic post drivers,)
8. Shop Improvement (welding tables, sawhorses, torch carts, anvils)
9. Truck bed, Racks & Pickup Accessories
10. Smokers, Grills & Cookers with hitches
11. Patio Cookers, Grills & Smokers
12. Outdoor Furniture (picnic tables, benches, swings, etc.)
13. Hobby/Recreation (deer stand, clay target, thrower, weight benches)
14. Manual Farmstead Tools (post driver, Tee post puller, etc.)
15. Indoor Furniture (end tables, chairs, hall trees, bed frames, etc.)
16. Decorative Small Projects (paperweight, horseshoe projects, hand-cut projects, piggybanks, etc.)
17. Functional Small Projects (lamp, hat rack, boot jack, towel racks, doorknockers, doorbells, etc.)
18. Small Projects produced primarily from CNC Machines
19. Large Projects produced primarily from CNC Machines
20. Other projects not fitting in the above categories (subject to approval, and projects may be moved to this class by superintendent)

FFA CHAPTER MECHANICS SWEEPSTAKES (923)

FFA Chapter Mechanics Sweepstakes takes the highest number of points accumulated in the mechanics department.

Classes:	1st	2nd	3rd	4th	5th	6th	7th	8th	9th	10th
1-3	40	38	36	34	32	30	28	26	24	22
4-12	30	28	26	24	22	20	18	16	14	12
13-20	20	18	16	14	12	10	8	6	4	2
Top 5 Overall	10	8	6	4	2					

- | | |
|---|---------------|
| 1. Grand Champion Chapter Agricultural Mechanics Sweepstakes | Award & \$500 |
| 2. Reserve Grand Champion Chapter Agricultural Mechanics Sweepstakes | Award & \$450 |
| 3. Third Overall Chapter Agricultural Mechanics Sweepstakes | Award & \$400 |
| 4. Fourth Overall Chapter Agricultural Mechanics Sweepstakes | Award & \$300 |
| 5. Fifth Overall Chapter Agricultural Mechanics Sweepstakes | Award & \$200 |

FFA COMMUNICATIONS and LEADERSHIP and ANIMAL SCIENCE

DIVISION 918 - FFA PHOTOGRAPHY SERIES

Awards for this Division: 1st – 5th place - Ribbon; Champion – Ribbon; Reserve Champion – Ribbon

ALL ENTRIES IN THE FFA DIVISION MUST BE ENTERED ONLINE BY AUGUST 25. Kansas FFA members include photographs as a part of their scrapbooks, State Proficiency Award applications, chapter scrapbooks, and chapter award applications. The purpose of the photography contest is to provide an opportunity for individual FFA members to showcase their talent in photography while preparing for these state award applications.

1. Entry must contain **five**, 5" x 7" or 4" x 6" color prints that **were taken by the member**. Only one entry per exhibitor.
2. The series must be mounted on **half** sheet poster board (approximate finished size 22" x 14"), or **half** sheet of foam or mat board (approximate finished size 20" x 15") to be displayed for landscape view. **Exhibits not meeting class criteria may be discounted or disqualified.**
3. Pictures on newsprint or those that have been mechanically altered will not be accepted.
4. **Must relate to the member's Supervised Agricultural Experience program (SAE) or to FFA activities.**
5. Captions may be used with each picture. A header or title identifying display as SAE or FFA may be included. Captions are to be in 12-point font and not exceed 50 words per caption.
6. Entries will be judged on subject matter, effectiveness, photo quality and composition. The top 5 placing may be displayed.

CLASS

1. Photography Grades 8-9
2. Photography Grade 10
3. Photography Grade 11
4. Photography Grade 12

DIVISION 919 - FFA NEWS REPORTING

Awards for this Division: 1st – 5th place - Ribbon; Champion – Ribbon; Champion – Ribbon

1. FFA members are encouraged to submit newsworthy articles and pictures about outstanding accomplishments of individual FFA members and/or their local chapter to all forms of print and broadcast media. The purpose of the News Reporting contest is to recognize individual FFA members for their talent and accomplishment in this area.
2. The news story must be in manuscript form with not more than three double-spaced typewritten pages. One, and not more than one, 4" X 6" or 5" x 7" color or black and white photograph must accompany the story. Each page of the story and the photograph must be mounted on **one full sheet** (22" x 28") **black** poster or **black** foam/mat board (22"x30"). Posters are to be displayed horizontally. **Exhibits not meeting class criteria may be discounted or disqualified.**
3. Article must relate to Agricultural Education and/or FFA. Entries will be judged on the basis of news value, readability and organization.

CLASS

1. FFA News Reporting Grades 8-9-10
2. FFA News Reporting Grade 11-12

DIVISION 920 - AGRISCIENCE PROJECT DISPLAY

1. The purpose of the Agriscience Project Display is to provide an opportunity for individual FFA members to compete in a science fair related to agriculture. Members who have developed a project based on the application of scientific principles and emerging technologies in agriculture are eligible. It is also designed to educate parents, school officials, and the public about career opportunities available for Agriscience students.
2. Categories are Animal Systems, Environmental Services/Natural Resource Systems, Food Products and Processing Systems, Plant Systems, Agricultural Power, Structural and Technical Systems and Social Systems. Kansas State Fair will not separate into divisions for ages or teams.
3. The Agriscience Project Display must meet size requirements for the National FFA Agriscience Fair.
4. Due to space limitations only the top 5 Agriscience Projects may be displayed.
5. Judging criteria for the Agriscience Project Display: Creative ability/originality: 25 points, Scientific thought/goal: 25 points, Supporting evidence: 25 points, Poster appearance: 25 points, **TOTAL: 100 points**
6. Interviews will be conducted not be conducted. Only the display board/poster will be evaluated.
7. Ribbons awarded to 1st-5th in each category: Animal Systems, Plant Systems, Food Products & Processing, Environmental Science/Natural Resources, Power, Structural and Technical Systems, Social Science.

FFA CHAPTER LEADERSHIP and ANIMAL SCIENCE (925)

FFA CHAPTER COMMUNICATIONS, LEADERSHIP and ANIMAL SCIENCE SWEEPSTAKES (925)

FFA Chapter Crops Sweepstakes take the highest number of points accumulated in **DIVISIONS 918-**

Placing:	<u>1st</u>	<u>2nd</u>	<u>3rd</u>	<u>4th</u>	<u>5th</u>	<u>6th</u>	<u>7th</u>	<u>8th</u>	<u>9th</u>	<u>10th</u>
Points:	10	9	8	7	6	5	4	3	2	1
	<u>Placing</u>		<u>Points</u>							
	Champion		3							
	Res. Champion		2							
	Grand Champion		6							
	Res. Grand Champion		4							

With upper limit on total number of exhibits in class: Example: Four entries in class, points awarded 4-3-2-1. Ten or more entries in class points awarded 10-9-8-7-6-5-4-3-2-1-0.

- | | | |
|----|---|---------------|
| 1. | Grand Champion FFA Chapter Leadership/Communications Sweepstakes | Award & \$100 |
| 2. | Reserve Champion FFA Chapter Leadership/Communications Sweepstakes | Award & \$75 |
| 3. | 3 rd Overall FFA Chapter Leadership/Communications Sweepstakes | \$50 |

DIVISION 921 – ANIMAL SCIENCE FACILITIES MODEL DISPLAY AND ESSAY

Awards for this Division: 1st – 5th place - Ribbon; Champion – Ribbon; Reserve Champion – Ribbon

1. The purpose of the Animal Science Facilities Model Display is for individual FFA members to exhibit an original design model of Animal Science Facilities. Original designs for facilities including but not limited to livestock handling facilities, feedlots, veterinarian facilities, and processing/harvesting facilities are acceptable.
2. Students would create a 3D model of facilities attached to base of approximately 1/8" thick OSB, plywood, sheet metal similar materials not to exceed **18 inches by 18 inches**. The base must be strong enough to support moving by hand but not so heavy or bulky that it would present difficulty in judging or displaying.
3. The 3D model should be constructed to scale and may **not exceed 1 foot in height**. Materials used can be virtually anything non-edible and non-perishable.
4. An **essay** of up to ONE, page (12-point font) must accompany the display. The essay should explain such items as purpose, features, design concepts, and rationale. Essay must identify the name of the student, name of FFA chapter and identify the design. The essay must be in a clear page protector or laminated and attached to the display in a manner that would allow easy for judges and spectators.
5. Due to space limitations only the top 5 Animal Science Facilities Models may be displayed.
6. Judging criteria for the Animal Science Facilities Model Display: Creativeness/originality: 25 points, Effectiveness, Efficiency and Functionality of Design: 25 points, Animal Safety: 15 points, Overall Appearance: 10 points, Accompanying Essay: 25 points, **TOTAL: 100 points**

DIVISION 922 – ANIMAL SCIENCE BALANCED RATION DISPLAY AND ESSAY

Awards for this Division: 1st – 5th place - Ribbon; Champion – Ribbon; Reserve Champion – Ribbon

1. The purpose of the Animal Science Balanced Ration Display is for individual FFA members to showcase knowledge of animal nutrition and educated others.
2. Using dried products (including but not limited to grains, cereals, popcorn, sand, cotton, corn meal, flour, or nuts) to represent ingredients in an animal's diet, develop a visual representation of a balanced ration. The visual representation would be displayed in clear container **approximately 1 gallon in size** to show the proportional amounts of each ingredient. A visual legend should be attached to the container denoting what each component used represents (for example: Rice Crispies represent corn, sand represents soybean meal, flour represents vitamins and mineral).
3. An **essay** of up to **ONE**, page (12-point font) must accompany the display. The essay should explain the exact proportion of the feedstuffs used, what type/class of animal the feed is for the rationale for selecting the ingredients, the projected nutritional value for protein, fat, and fiber, the manner in which the ration should be feed, and the approximate cost of the ration. Essay must identify the name of the student, name of FFA chapter and identify the design. The essay must be in a clear page protector or laminated and attached to the display in a manner that would allow easy for judges and spectators.
4. Due to space limitations only the top 5 Animal Science Balanced Ration Display and Essay may be displayed.
5. Judging criteria for the Animal Science Balanced Ration Display and Essay: Nutritional Value and Palatability: 25 points, Accuracy and Proportionality: 25 points, Creativeness/originality/use of resources: 15 points, Overall Appearance: 10 points, Accompanying Essay: 25 points, **TOTAL: 100 points**

Replace FFA Chapter Leadership Sweepstakes with:

FFA CHAPTER COMMUNICATIONS, LEADERSHIP and ANIMAL SCIENCE SWEEPSTAKES (925)

FFA Chapter Crops Sweepstakes take the highest number of points accumulated in **DIVISIONS 918-922**.

Placing:	1st	2nd	3rd	4th	5th	6th	7th	8th	9th	10th
Points:	10	9	8	7	6	5	4	3	2	1
	Placing		Points							
	Champion		3							
	Res. Champion		2							
	Grand Champion		6							
	Res. Grand Champion		4							

With upper limit on total number of exhibits in class: Example: Four entries in class, points awarded 4-3-2-1. Ten or more entries in class points awarded 10-9-8-7-6-5-4-3-2-1-0.

- | | |
|--|--------------------------|
| 1. Grand Champion FFA Chapter Leadership/Communications Sweepstakes | Award & \$100 |
| 2. Reserve Champion FFA Chapter Leadership/Communications Sweepstakes | Award & \$75 |
| 3. 3rd Overall FFA Chapter Leadership/Communications Sweepstakes | Award & \$50 |

DIVISION 930 - FFA EDUCATIONAL BOOTHS

AWARDS:

Champion FFA Educational Booth	Award & \$100
Reserve Champion FFA Educational Booth	Award & \$75 Third
Overall FFA Educational Booth	Award & \$75

Purpose: To promote the benefits of enrolling in Agricultural Education and joining FFA. Booth will be of the type that could be used in a variety of settings, such as FFA Week booths, shopping center displays, local fairs, etc.

Design: Booth will consist of a 6' tabletop display. **The table will NOT be provided and must be 6' in length.** The table must be a standard height (approximately 32" inches) and 28" to 34" wide. The display board will be constructed to an overall 4' x 8' size. The display is to be hinged to consist of two 2' wings and a 4' center back. Absolutely no part of the display is to extend past the left, right or front sides of the six-foot table. Nothing can be placed in front of the display. Tabletop displays that are more than 6' tall above the table and/or are "top heavy" may be discounted in the scoring process or disqualified. Due to space limitations, only a standard 6' folding table will be allowed to be used.

Appearance: All tables must be skirted to the floor. It is recommended that the back side of the display board be painted dark in color. Tables will NOT be provided by the Fair. The chapter is responsible for bringing their own table and covering the top of the table and skirting the table on three sides from tabletop to floor.

Theme: "Living a Legacy" is the theme 2024. The Local Chapter name must be displayed. Booth space will be assigned by the Superintendent upon arrival. Booths not meeting requirements nor following guidelines (size, theme, division, etc.) may be disqualified from the competition and/or removed from display area.

Active Display: Chapters may include components in booths with a moving or active display involving powered devices. Examples may include water wheels, fans, rotating devices, talking booths and electronic devices.

Electrical Supply: It will be the Chapter's responsibility for access to electrical power for active display or any lighting used to enhance the display. No guarantee on availability of electrical outlets. Electrical outlets may be provided, pending availability, and an extension cord may be required and will NOT be provided.

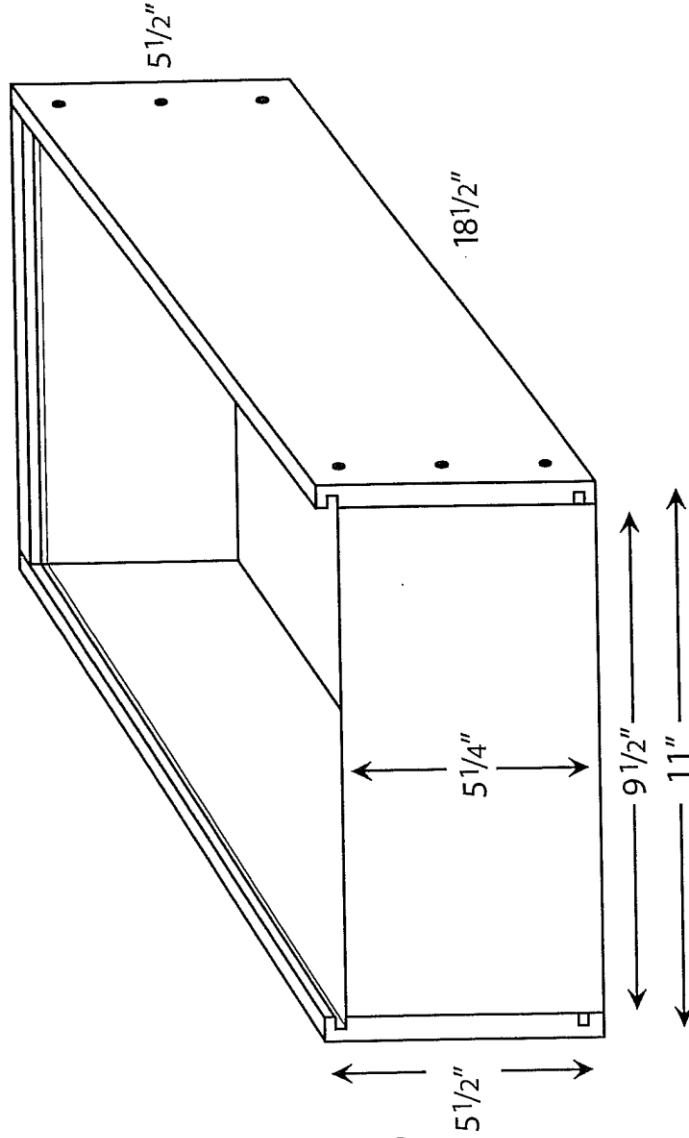
Set-up: Booths MUST be completely set-up before and ready for judging by 10 AM on Friday. Any booth not set-up before 10:00 AM will not be judged and may not be displayed.

Scorecard for Educational Booths:

PROMOTES BENEFITS OF AGRICULTURAL EDUCATION AND FFA (50 PTS.)		
a.	Promotes at least one of the three components: Classroom, SAE, Leadership	30 pts.
b.	Central Theme: "Living a Legacy"	20 pts.
APPEARANCE		
a.	Attention	10 pts.
b.	Interest	10 pts.
c.	Creativity	10 pts.
d.	Neatness	10 pts.
e.	Organization	10 pts.
TOTAL		100 pts.

Grain Display Box

- Back piece is $9\frac{1}{2}$ " x $5\frac{1}{2}$ " inside.
- Grooved for glass at top and masonite for bottom.



- Use 1" x 6" wood.
- Glass for top is $17\frac{1}{2}$ " x 10"

- Notch:
1/4" in
1/4" from top

- Groove bottom notches same as top:
1/4" from bottom
1/4" in for bottom wood

- Use 1/2" Masonite or plywood.
Nail in place.